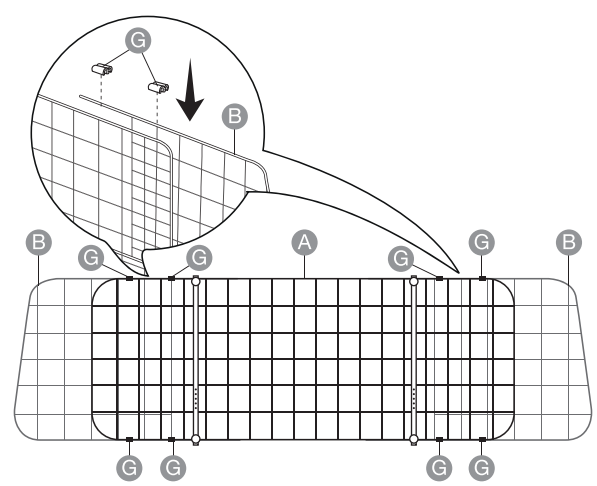
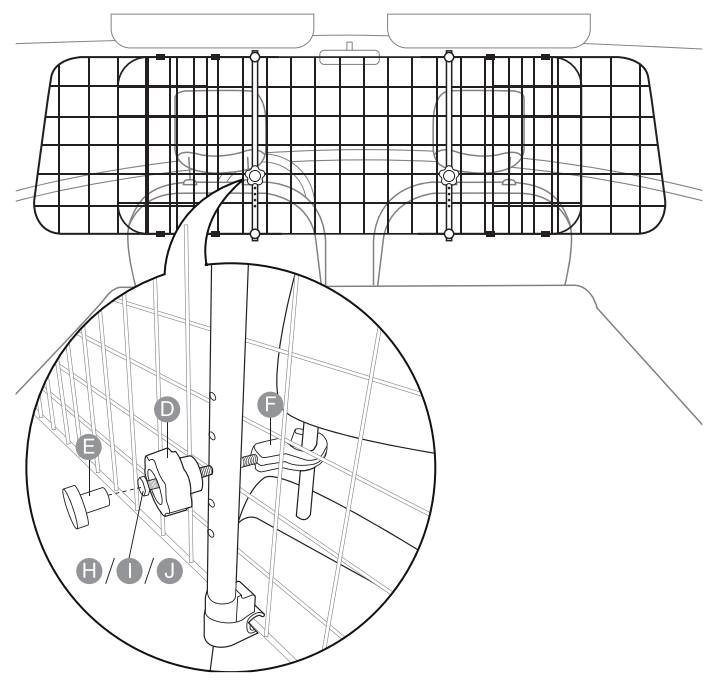


NOTICE Align the support bars (C) with the poles of each front seat's headrest.



NOTICE Use the panel tracks (G) to attach the side panels (B) to both sides of the main panel (A). Side panels (B) should be situated between the main panel (A) and the headrest.



NOTICE Only 2 screws are needed for assembly. Use screws (H), (I) or (J).